

Design

Stramit MonoLap[®] roof lap joint units can only be installed on roofs designed for its use.

That is

- Roof pitch must not be less than 2°
- All purlins must be in a single plane, i.e. no step down
- Purlins must be spaced to allow for sheeting end spans on either side of the joint.
- Can only be used with **Stramit Monoclad**[®] roofing.
- Translucent sheeting joints must coincide with the **MonoLap**[®] joint.

Ordering Sheet lengths

Stramit Monoclad[®] sheeting for use with **Stramit MonoLap**[®] roof lap joint rolls must be ordered in lengths to allow for a sheet overlap of 350mm. The underlap sheet high-end overhang should be an additional 200mm. The upper sheet low-end overhang should be 150mm.

IMPORTANT NOTICE: The information contained within this brochure is intended for general use and information only. Before application in a particular situation, Stramit recommends that you obtain appropriate independent qualified expert advice confirming the suitability of product(s) and information in question for the application proposed. While Stramit accepts its legal obligations, be aware however that to the extent permitted by law, Stramit disclaims all liability (including liability for negligence) for all loss and damage resulting from the direct or indirect use, or reliance on, the information provided in this brochure.

Details of many **Stramit**[®] products can also be seen on the AIA site 'Product Selector' at:

www.selector.com.au

**Call us for further information
or the name of your local distributor**



SYDNEY

33-83 Quarry Road, Erskine Park NSW 2759
Telephone (02) 9834 0900 Fax (02) 9834 0988

CANBERRA

4 Bass Street, Queanbeyan NSW 2620
Telephone (02) 6298 2500 Fax (02) 6298 2533

COFFS HARBOUR

6 Mansbridge Drive, Coffs Harbour NSW 2450
Telephone (02) 6656 3800 Fax (02) 6656 3808

NEWCASTLE

17 Nelson Road, Cardiff NSW 2285
Telephone (02) 4041 3400 Fax (02) 4041 3423

ORANGE

51 Leewood Drive, Orange NSW 2800
Telephone (02) 6360 9200 Fax (02) 6360 9211

MELBOURNE

2/1464 Ferntree Gully Road, Knoxfield VIC 3180
Telephone (03) 9237 6200 Fax (03) 9237 6299

ALBURY

18 Ariel Drive, Albury NSW 2640
Telephone (02) 6092 3700 Fax (02) 6092 3766

BENDIGO

Ramsay Court, Kangaroo Flat VIC 3555
Telephone (03) 5448 6400 Fax (03) 5447 9677

HOBART

57 Crooked Billett Drive, Brighton TAS 7030
Telephone (03) 6262 8788 Fax (03) 6262 8712

ADELAIDE

11 Stock Road, Cavan SA 5094
Telephone (08) 8219 2000 Fax (08) 8262 6333

BRISBANE

57-71 Platinum Street Crestmead QLD 4132
Telephone (07) 3803 9999 Fax (07) 3803 1499

TOWNSVILLE

402-408 Bayswater Road, Garbutt QLD 4814
Telephone (07) 4412 3900 Fax (07) 4412 3909

CAIRNS

Vickers Street, Edmonton QLD 4869
Telephone (07) 4034 6555 Fax (07) 4034 6511

MACKAY

Brickworks Court, Glenella QLD 4741
Telephone (07) 4965 4000 Fax (07) 4965 4012

MARYBOROUGH

10 Activity St, Maryborough QLD 4650
Telephone (07) 4123 9500 Fax (07) 4123 9508

ROCKHAMPTON

41 Johnson St, Parkhurst QLD 4702
Telephone (07) 4921 5600 Fax (07) 4921 5608

DARWIN

55 Albatross Street, Winnellie NT 0820
Telephone (08) 7922 4600 Fax (08) 8930 6308

PERTH

605-615 Bickley Road, Maddington WA 6109
Telephone (08) 9493 8800 Fax (08) 7922 4608

stramit.com.au

™ and ® Trademarks of Stramit Corporation Pty Limited. ABN 57 005 010 195 trading as Stramit Building Products. Part of Fletcher Building Group
© Stramit Corporation Pty Limited. November 2017.



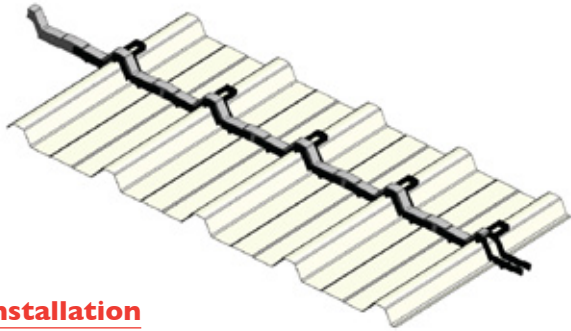
**STRAMIT
MonoLap**[®]

**ROOF LAP JOINT SYSTEM
SUITABLE FOR
STRAMIT MONOCLAD[®]
SHEETS ONLY**

product
installation
supplement

STRAMIT MONOLAP®

ROOF LAP JOINT SYSTEM FOR STRAMIT MONOCLAD®



Installation

Stramit MonoLap® roof lap joints are readily installed on **Stramit MonoClad®** sheeting. The following steps explain the procedure:

1. The ribs of the upper and lower sheeting must align at the joint, hence care must be taken to ensure this can be accurately achieved before the sheets are laid on the lower run.
2. The centreline of the support will be used as a datum for alignment, as such a string line arrangement needs to be in place before the support is covered. A chalk line marked over the ribs may be used in lieu of the stringline. Place the lower run of sheets so that there is a 200mm overhang above the stringline and therefore the centreline of the support.
3. Screw down the lower sheeting as per normal practice at all supports except at the joint. Turn up the high ends of the lower sheet in every pan using the **Stramit MonoLap®** turn-up/down tool at the joint.

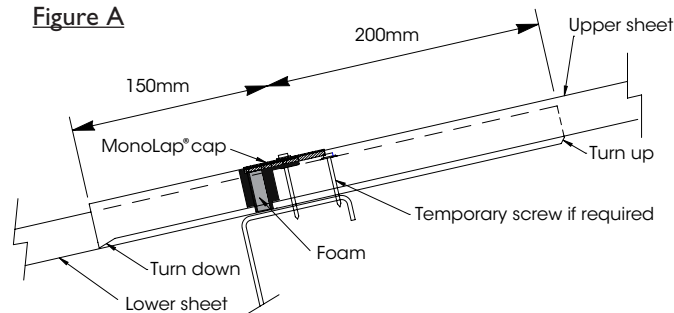
Caution: At this stage, the ends of the sheet are not held down at the joint purlin. If there is a time lapse between the laying of the lower run and the upper run, it is recommended that the lower sheets are held down temporarily with a screw at the location shown on Figure A, right at the purlin edge, and this screw removed when the upper run is ready to be laid so that it does not hinder movement of the sheet.

4. Individual **Stramit MonoLap®** roof lap joint rolls need to be joined to form one continuous run to cover the length of the joint. This is done by separating the overhanging nylon unit, aligning the holes in the foam of the next roll through the alignment pins, and pushing them back together until they click into place. If the roll needs to be shortened, it can simply be cut to size.

Lay out the **Stramit MonoLap®** units on the lower sheet above the joint purlin, with the foam component downstream as shown in Figure B. Align the centre of the rectangular hole in the **Stramit MonoLap®** component under the stringline which locates the centreline of the support below.

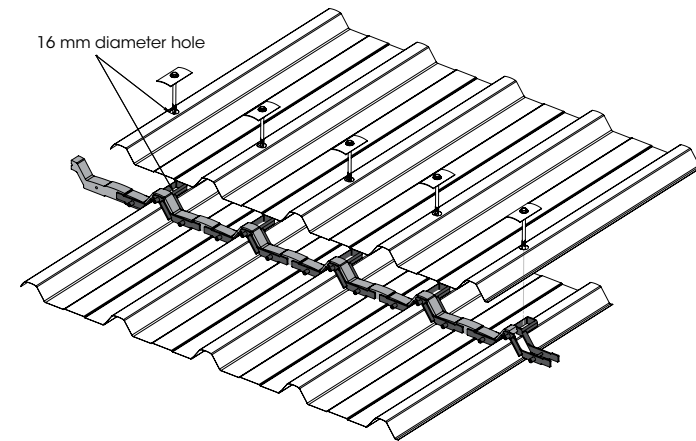
5. With the **Stramit MonoLap®** roof lap joint rolls in position the higher sheet run can be installed taking care to align it such that the ribs follow in line with the lower sheet and that there is an overlap of 150mm past the stringline. Take care not to move lap joint rolls. Screw down the sheet in the normal manner at all supports except at the joint.

Figure A



6. At the joint, drill a 16mm diameter hole at the top of each rib at the stringline through both of the **Stramit MonoClad®** sheets only. This should pass through the centre of the rectangular hole in the nylon **Stramit MonoLap®** component but not go through to the support. Remove all swarf from top and bottom sheets.

Figure B



7. Position a **Stramit MonoLap®** cap over the 16mm diameter hole. Screw through using a No 12-14x68mm tek screw through both layers of sheeting and into the support below. Finally, turn down the pans of the upper sheet at the joint using the **Stramit MonoLap®** turn-up/down tool.

Walking

We recommend caution be taken when walking on any roof. When walking on **Stramit®** sheeting always wear flat rubber soled shoes and place feet only in the pans, except at the supports, taking care to avoid the last pan or two near edges of metal roof area.

Walk only in pans, or ribs at purlin supports

Good Practice

Stramit recommends that good trade practice be followed when using this product, such as that found in Australian Standards Handbook HB39.