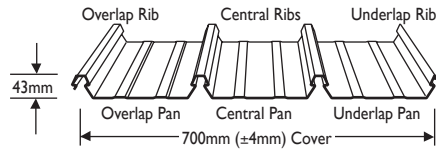


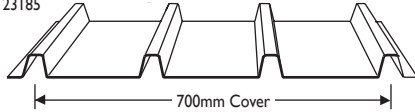
Basic Components

Deck



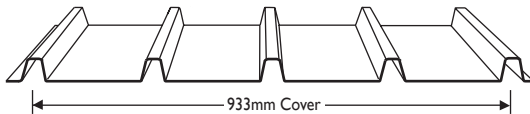
Translucent Sheeting 4 Rib

Design Reg No. 123185



Free underlap sheet edges, such as may be encountered when using translucent sheeting, may need additional support. Use a 40mm x 40mm x 1.0mm trim angle beneath the underlap and screwed to the purlins if spans exceed 1500mm for 0.42bmt, and 2000mm for 0.48bmt.

Translucent Sheeting 5 Rib



Fix in accordance with manufacturer's instructions.

Clip

- Pre-loaded with screws (metal fixing only)
- Plain - no screws

Extended rail compresses insulation beyond deck edge.

The four locking points equally share the load around the fastener.

Continuous rail to depress insulation and maintain deck shape and rib centres.

The full length clips locate ribs, lock solidly and correctly into place while compressing insulation across the full width of the deck.

Optional preloaded fasteners give even faster, easier installation.

Readily available hexagon headed screws are bigger, stronger and easier to install, reducing time, cost and wastage.

Design Reg No. 121366

Fasteners

Please use recommended fasteners to ensure maximum deck performance. Note: Performance data based on steel purlins 1.5mm thick or greater.



- for metal No.12 x 30mm Hex. head



- for timber No.12 x 50mm Hex. head type 17

Features

- Wider Cover – fewer sheets and quicker installation
- Deeper Ribs – stronger and stiffer with better water carrying capacity
- Full Length Clips – to locate ribs and compress insulation
- Hex Head Screws – bigger, stronger and easier to install
- Improved Wind Load Resistance – improved security with lower purlin costs
- Automatic Bird Proofing – built in accessory with no need for extra components
- Fully tested for cyclonic conditions
- Distinctive 'snap' when deck is clipped on

For details refer to the **Stramit Speed Deck Ultra®** technical manual.

**Call us for further information
or the name of your local distributor**



SYDNEY

33-83 Quarry Road, Erskine Park NSW 2759
Telephone (02) 9834 0900 Fax (02) 9834 0988

CANBERRA

4 Bass Street, Queanbeyan NSW 2620
Telephone (02) 6132 8300 Fax (02) 6132 8333

COFFS HARBOUR

6 Mansbridge Drive, Coffs Harbour NSW 2450
Telephone (02) 6656 3800 Fax (02) 6656 3808

NEWCASTLE

17 Nelson Road, Cardiff NSW 2285
Telephone (02) 4954 5033 Fax (02) 4954 5856

ORANGE

51 Leewood Drive, Orange NSW 2800
Telephone (02) 6361 0444 Fax (02) 6361 9814

MELBOURNE

2/1464 Ferntree Gully Road, Knoxfield VIC 3180
Telephone (03) 9237 6200 Fax (03) 9237 6299

ALBURY

18 Ariel Drive, Albury NSW 2640
Telephone (02) 6041 7600 Fax (02) 6041 7666

BENDIGO

Ramsay Court, Kangaroo Flat VIC 3555
Telephone (03) 5448 6400 Fax (03) 5447 9677

MILDURA

19-23 Adams Street, Mildura VIC 3500
Telephone (03) 5018 4800 Fax (03) 5021 0557

HOBART

57 Crooked Billett Drive, Brighton TAS 7030
Telephone (03) 6263 5536 Fax (03) 6263 6950

ADELAIDE

11 Stock Road, Cavan SA 5094
Telephone (08) 8262 4444 Fax (08) 8262 6333

BRISBANE

57-71 Platinum Street Crestmead QLD 4132
Telephone (07) 3803 9999 Fax (07) 3803 1499

TOWNSVILLE

402-408 Bayswater Road, Garbutt QLD 4814
Telephone (07) 4412 3900 Fax (07) 4412 3909

CAIRNS

Vickers Street, Edmonton QLD 4869
Telephone (07) 4034 6555 Fax (07) 4034 6511

MACKAY

Brickworks Court, Glenella QLD 4741
Telephone (07) 4965 4000 Fax (07) 4965 4012

MARYBOROUGH

10 Activity St, Maryborough QLD 4650
Telephone (07) 4123 9500 Fax (07) 4123 9508

ROCKHAMPTON

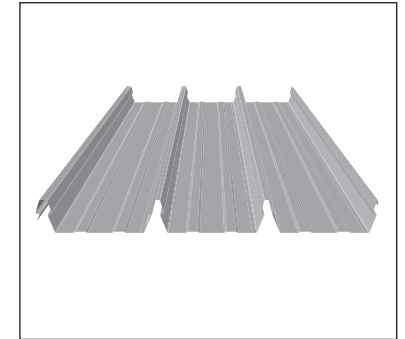
41 Johnson St, Parkhurst QLD 4702
Telephone (07) 4921 5600 Fax (07) 4921 5608

DARWIN

55 Albatross Street, Winnellie NT 0820
Telephone (08) 8930 6333 Fax (08) 8930 6308

PERTH

605-615 Bickley Road, Maddington WA 6109
Telephone (08) 9493 8800 Fax (08) 9493 8899



STRAMIT SPEED DECK ULTRA®

CONCEALED FIXED DECKING

1-2-3

installation procedure

IMPORTANT NOTICE: The information contained within this brochure is for general use and information only. Before application in a particular situation, Stramit recommends that you obtain appropriate independent qualified expert advice confirming the suitability of product(s) and information in question for the application proposed. While Stramit accepts its legal obligations, be aware however that to the extent permitted by law, Stramit disclaims all liability (including liability for negligence) for all loss and damage resulting from the use of the information provided in this brochure.

™ and ® are registered trademarks of Stramit Corporation Pty Limited. ABN 57 005 010 195 trading as Stramit Building Products. A member of the Fletcher Building Group © Stramit Corporation Pty Limited, November 2015. This document replaces all previous issues. Please destroy, or clearly mark as superseded, all previous issues.



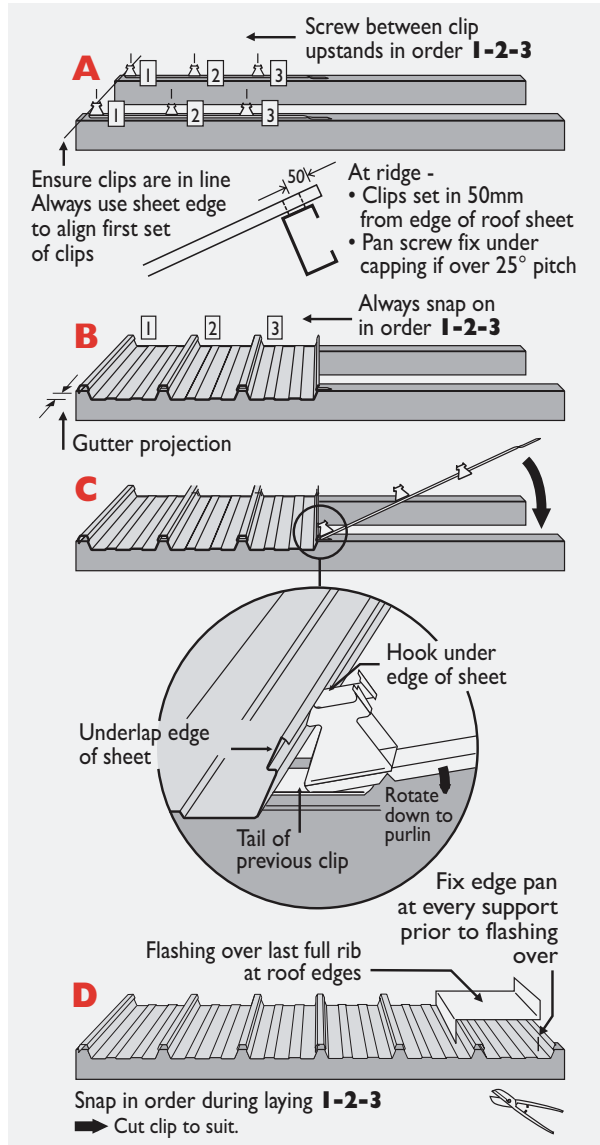
GOOD DESIGN
SPEED DECK ULTRA
Designed in Australia
Licence No. 96229
Good Design Australia

Basic Installation Procedure

Stramit recommends that all relevant OH&S and other safety regulations be followed during the installation of the roof system.

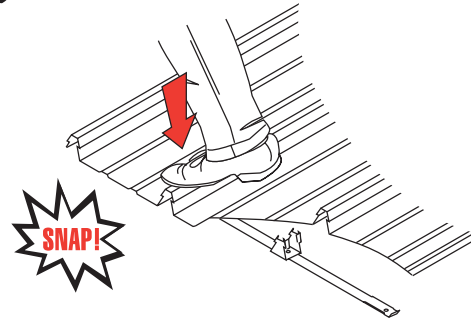
If insulation blanket is to be installed

- ensure safety mesh, and spacer if required, are installed and fixed according to OH&S regulations and suppliers' guidelines.
- step on clip rail to ensure it is level when screwing clips

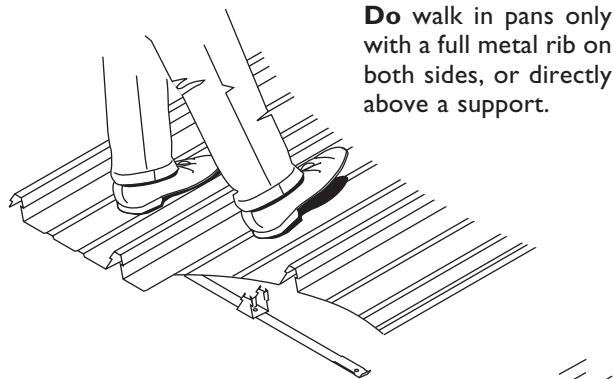


For full installation instructions please refer to the **Stramit Speed Deck Ultra®** technical manual.

Do ✓

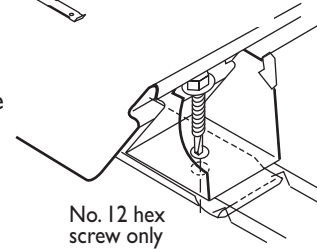


Do snap ribs onto clips in the correct order **1-2-3**.

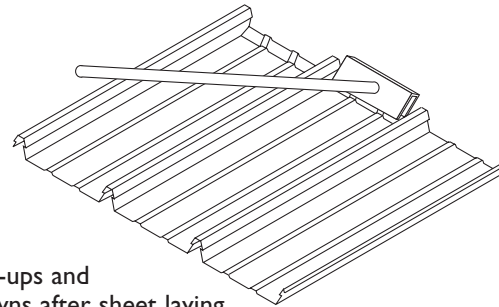


Do ensure next clip hole alignment at underlap

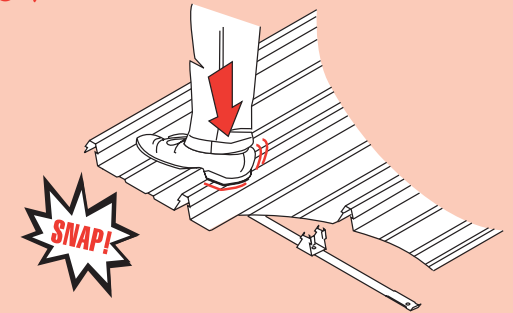
- clip must be hooked beneath underlap
- screw must go through both holes



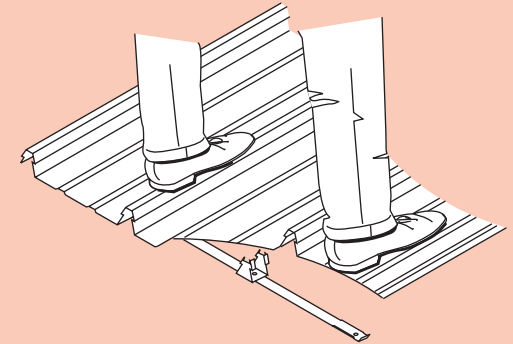
Do turn-ups and turn-downs after sheet laying



Don't X



Don't use excessive force. Light pressure only.



Don't walk on ribs except over a support.

Don't walk in underlap pan when unsupported by either another metal sheet or a support.



Don't use wafer head screws.



Don't use lead pencils.