

## Design

**Stramit FarLap**<sup>®</sup> roof lap joint units can only be installed on roofs specifically designed for its use.

That is:

- All purlins must be in a single plane, i.e. no step down.
- Purlins must be spaced to allow for sheeting end spans on either side of the joint.
- Can only be used with **Stramit Speed Deck Ultra**<sup>®</sup> decking.
- Translucent sheeting joints must coincide with the decking joint.

## Ordering Sheet Lengths

**Stramit Speed Deck Ultra**<sup>®</sup> sheeting for use with **Stramit FarLap**<sup>®</sup> roof lap joint units must be ordered in lengths to allow for a sheet overlap of 350mm. The underlap sheet high-end overhang should be an additional 200mm. The upper sheet low-end overhang should be 150mm.

### IMPORTANT NOTE

The information contained within this brochure is as far as possible accurate at the date of publication, however, before application in a particular situation, Stramit Building Products recommends that you obtain qualified expert advice confirming the suitability of product(s) and information in question for the application proposed. While accepting its legal obligations, be aware however that to the extent permitted by law, Stramit Building Products disclaims all liability (including liability for negligence) for all loss and damage resulting from the use of the information provided in this brochure.

The Stramit web page can be found at:

[www.stramit.com.au](http://www.stramit.com.au)

Details of many Stramit<sup>®</sup> products can also be seen on the AIA site 'Product Selector' at:

[www.selector.com.au](http://www.selector.com.au)

**Call us for further information  
or the name of your local distributor**



#### SYDNEY

33-83 Quarry Road, Erskine Park NSW 2759  
Telephone (02) 9834 0900 Facsimile (02) 9834 0988

#### CANBERRA

4 Bass Street, Queanbeyan NSW 2620  
Telephone (02) 6132 8300 Facsimile (02) 6132 8333

#### COFFS HARBOUR

6 Mansbridge Drive, Coffs Harbour NSW 2450  
Telephone (02) 6656 3800 Facsimile (02) 6656 3808

#### NEWCASTLE

17 Nelson Road, Cardiff NSW 2285  
Telephone (02) 4954 5033 Facsimile (02) 4954 5856

#### ORANGE

51 Leewood Drive, Orange NSW 2800  
Telephone (02) 6361 0444 Facsimile (02) 6361 9814

#### MELBOURNE

2/1464 Ferntree Gully Road, Knoxfield VIC 3180  
Telephone (03) 9237 6200 Facsimile (03) 9237 6299

#### ALBURY

18 Ariel Drive, Albury NSW 2640  
Telephone (02) 6041 7600 Facsimile (02) 6041 7666

#### MILDURA

19-23 Adam Street, Mildura 3500  
Telephone (03) 5018 4800 Facsimile (03) 5021 0557

#### BENDIGO

Ramsay Court, Kangaroo Flat VIC 3555  
Telephone (03) 5448 6400 Facsimile (03) 5447 9677

#### HOBART

57 Crooked Billett Drive, Brighton TAS 7030  
Telephone (03) 6262 8888 Facsimile (03) 6262 8812

#### ADELAIDE

11 Stock Road, Cavan SA5094  
Telephone (08) 8262 4444 Facsimile (08) 8262 6333

#### BRISBANE

57-71 Platinum Street, Crestmead QLD 4132  
Telephone (07) 3803 9999 Facsimile (07) 3803 1499

#### TOWNSVILLE

402-408 Bayswater Road, Garbutt QLD 4814  
Telephone (07) 4412 3900 Facsimile (07) 4412 3909

#### CAIRNS

Vickers Street, Edmonton QLD 4869  
Telephone (07) 4034 6555 Facsimile (07) 4034 6511

#### MACKAY

Brickworks Court, Glenella QLD 4741  
Telephone (07) 4965 4000 Facsimile (07) 4965 4012

#### MARYBOROUGH

10 Activity St, Maryborough QLD 4650  
Telephone (07) 4123 9500 Facsimile (07) 4123 9508

#### ROCKHAMPTON

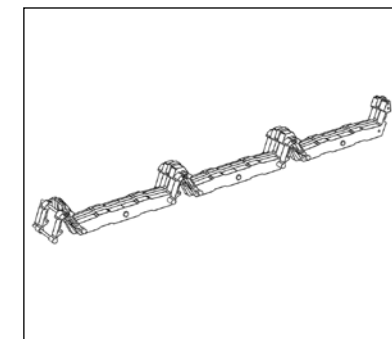
41 Johnson St, Parkhurst QLD 4702  
Telephone (07) 4921 5600 Facsimile (07) 4921 5608

#### DARWIN

55 Albatross Street, Winnellie NT 0820  
Telephone (08) 8930 6333 Facsimile (08) 8930 6308

#### PERTH

605-615 Bickley Road, Maddington WA 6109  
Telephone (08) 9493 8800 Facsimile (08) 9493 8899



**STRAMIT  
FarLap**<sup>®</sup>

ROOF LAP JOINT SYSTEM FOR  
STRAMIT SPEED DECK ULTRA<sup>®</sup>

**product  
installation  
supplement**

Stramit Corporation Pty Ltd. ABN 57 005 010 195.  
A member of the Fletcher Building Group.

© and TM are trade marks of Stramit Corporation Pty Limited.

© Stramit Corporation Pty Limited, November 2015.

# STRAMIT FARLAP®

ROOF LAP JOINT SYSTEM FOR STRAMIT SPEED DECK ULTRA®

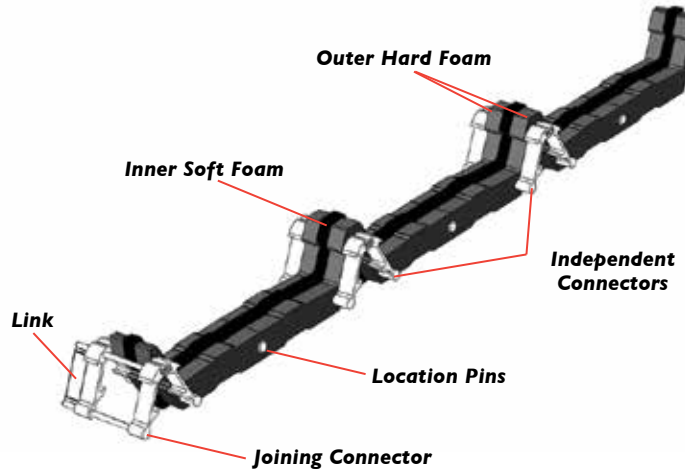
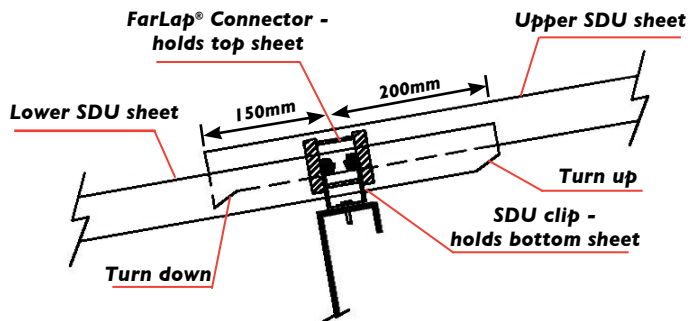


## Installation

**Stramit FarLap®** roof lap joint units are readily installed on **Stramit Speed Deck Ultra®** decking. No additional fastenings are required.

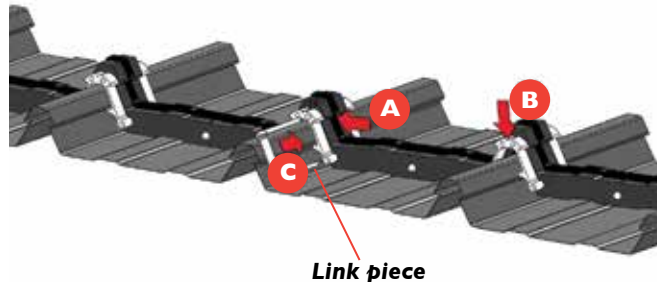
**Stramit Speed Deck Ultra®** sheets are installed in the normal manner, except that:

1. alignment of the first row of clips for both the lower and all upper runs should be determined before commencing deck laying on the lower run. This ensures that decking in upper runs is accurately aligned with the lower run.
2. sheet ends at the lap joints must be turned up and down using the **FarLap®** turn-up/down tool. Install the lower run and turn up the sheet ends, then install the upper run before turning down the lower ends of the upper sheets.
3. the sheet overlap must be at least 350mm.
4. translucent sheeting for a lower run should be fixed before laying decking on an upper run.



When installing **Stramit FarLap®** units:

1. install on the deck above the metal **Speed Deck Ultra®** clips (within 50mm).
2. connect each unit to the next by removing and then joining with the link piece as shown in steps A to C below.



3. ensure that every decking rib has an independent plastic connector fitted (cut the foam to obtain a start, or final portion from a full unit if needed, **ensuring the foam slot coincides with the upper sheet underlap**).

## TIME SAVING TIPS:

- units can be fitted in either direction across the deck.
- connect multiple units and fit in one long run, or a series of long runs.
- link pieces can be removed and re-fitted either in-situ or when freely held.
- plastic connectors can be snapped in place on each rib in any sequence.

## Walking

We recommend caution be taken when walking on any roof. When walking on **Stramit®** decking always wear flat rubber soled shoes and place feet only in the pans, except at supports, taking care to avoid the last pan or two near edges of the metal roof area.

**Walk only in pans, or on ribs at purlin supports.**

## Good Practice

Stramit recommends that good trade practice be followed when using this product, such as that found in Australian Standards Handbook HB39.

## Cutting

**Stramit FarLap®** roof lap joint units can be easily cut across the foam section using a retractable box cutter or a sharp cutting implement. Do not cut the nylon connectors. Please dispose of any off-cuts with due care.

## Penetrations and obstructions

No obstruction to the water flow should be placed across the **FarLap®** joint nor should the joint be crushed by any load. All roof penetrations should be at least 1500mm away from the Farlap joint.