

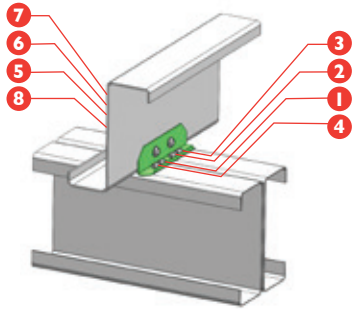
Installation Procedure – Z Purlin to Back to Back Rafter

Single or Lapped Purlins

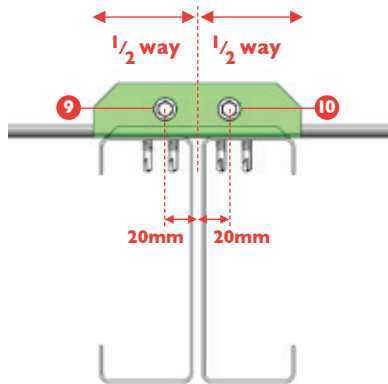
Atlas™ bracket qty: 2

Screw qty: 10 No. 19-10x25mm tek screw

X
Screw installation
sequence.

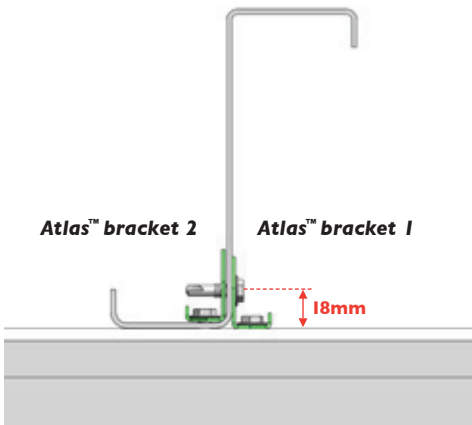


Align centre of
Atlas™ bracket to
centre of the
back-to-back
rafters



Atlas™ bracket 2

Atlas™ bracket 1



The Stramit web page can be found at:

www.stramit.com.au

Details of many Stramit® products can also be seen
on the AIA site 'Product Selector' at:

www.selector.com.au

Call us for further information
or the name of your local distributor



SYDNEY

33-83 Quarry Road, Erskine Park NSW 2759
Telephone (02) 9834 0900 Facsimile (02) 9834 0988

CANBERRA

4 Bass Street, Queanbeyan NSW 2620
Telephone (02) 6132 8300 Facsimile (02) 6132 8333

COFFS HARBOUR

6 Mansbridge Drive, Coffs Harbour NSW 2450
Telephone (02) 6656 3800 Facsimile (02) 6656 3808

NEWCASTLE

17 Nelson Road, Cardiff NSW 2285
Telephone (02) 4041 3400 Facsimile (02) 4041 3423

ORANGE

51 Leewood Drive, Orange NSW 2800
Telephone (02) 6363 3900 Facsimile (02) 6363 3911

MELBOURNE

2/1464 Ferntree Gully Road, Knoxfield VIC 3180
Telephone (03) 9237 6200 Facsimile (03) 9237 6299

ALBURY

18 Ariel Drive, Albury NSW 2640
Telephone (02) 6041 7600 Facsimile (02) 6041 7666

BENDIGO

Ramsay Court, Kangaroo Flat VIC 3555
Telephone (03) 5448 6400 Facsimile (03) 5447 9677

HOBART

57 Crooked Billett Drive, Brighton TAS 7030
Telephone (03) 6262 8888 Facsimile (03) 6262 8812

ADELAIDE

11 Stock Road, Cavan SA 5094
Telephone (08) 8262 4444 Facsimile (08) 8262 6333

BRISBANE

57-71 Platinum Street Crestmead QLD 4132
Telephone (07) 3803 9999 Facsimile (07) 3803 1499

TOWNSVILLE

402-408 Bayswater Road, Garbutt QLD 4814
Telephone (07) 4412 3900 Facsimile (07) 4412 3909

CAIRNS

Vickers Street, Edmonton QLD 4869
Telephone (07) 4034 6555 Facsimile (07) 4034 6511

MACKAY

Brickworks Court, Glenella QLD 4741
Telephone (07) 4965 4000 Facsimile (07) 4965 4012

MARYBOROUGH

10 Activity St, Maryborough QLD 4650
Telephone (07) 4123 9500 Facsimile (07) 4123 9508

ROCKHAMPTON

41 Johnson St, Parkhurst QLD 4702
Telephone (07) 4921 5600 Facsimile (07) 4921 5608

DARWIN

55 Albatross Street, Winnellie NT 0820
Telephone (08) 8930 6333 Facsimile (08) 8930 6308

PERTH

605-615 Bickley Road, Maddington WA 6109
Telephone (08) 9493 8800 Facsimile (08) 9493 8899

IMPORTANT NOTE

The information contained within this brochure is for general use and information only. Before application in a particular situation, Stramit recommends that you obtain appropriate independent qualified expert advice confirming the suitability of product(s) and information in question for the application proposed. While Stramit accepts its legal obligations, be aware however that to the extent permitted by law, Stramit disclaims all liability (including liability for negligence) for all loss and damage resulting from the use of the information provided in this brochure.

Stramit Corporation Pty Ltd. ABN 57 005 010 195.

A member of the Fletcher Building Group.

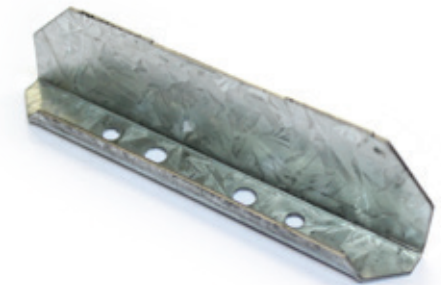
® and TM are trade marks of Stramit Corporation Pty Limited.

© Stramit Corporation Pty Limited, July 2016.



STRAMIT® Atlas™ Bracket

FOR INCREASED CAPACITY OF TOPHAT
AND PURLIN CONNECTIONS



**product
installation
supplement**

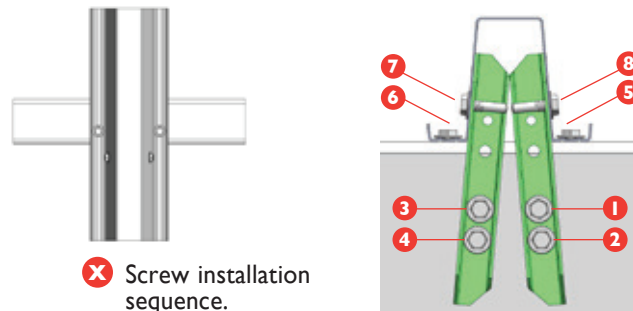
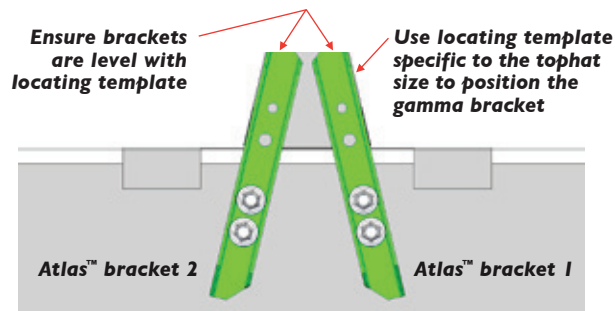
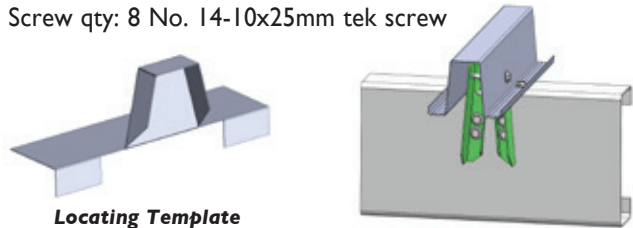
STRAMIT® ATLAS™ BRACKET

INCREASED CAPACITY OF TOPHAT AND PURLIN CONNECTIONS

The Stramit Atlas™ bracket increases the capacity of the connection between tophats or purlins and single or back to back purlin supports in cyclonic regions. The bracket is used in different forms depending on the connection, the installation sequence is explained below.

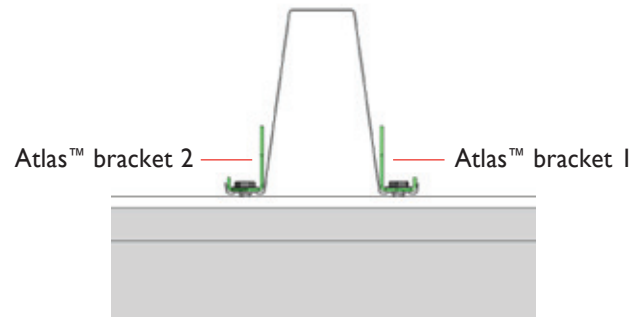
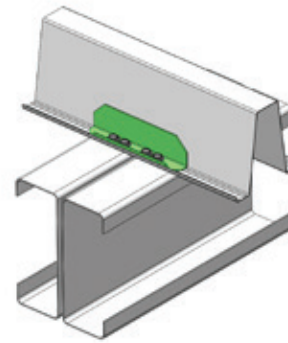
Installation Procedure – Tophats to Single Rafter

Lapped tophats
Atlas™ bracket qty: 2
Screw qty: 8 No. 14-10x25mm tek screw

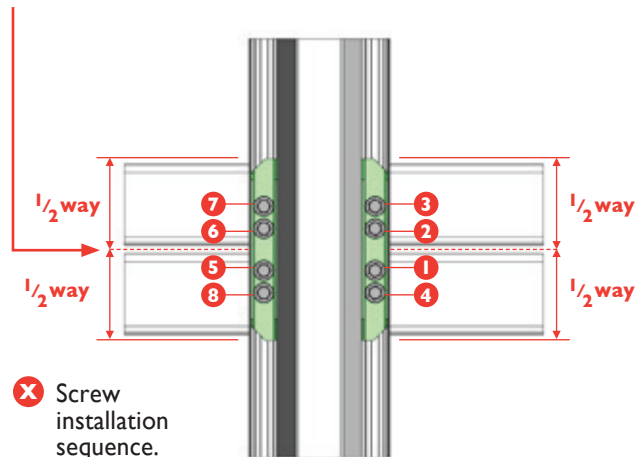


Installation Procedure – Tophat to Back to Back Rafter

Lapped tophats
Atlas™ bracket qty: 2
Screw qty: 8
No. 14-10x25mm tek screw

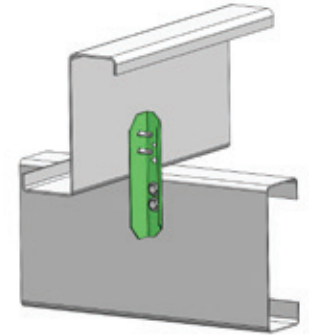


Align centre of Atlas™ bracket to the centre of the back-to-back rafters



Installation Procedure – Z Purlin to Single Rafter

Single or lapped purlins
Atlas™ bracket qty: 2
Screw qty: 6
No. 14-10x25mm tek screw



✗ Screw installation sequence.

