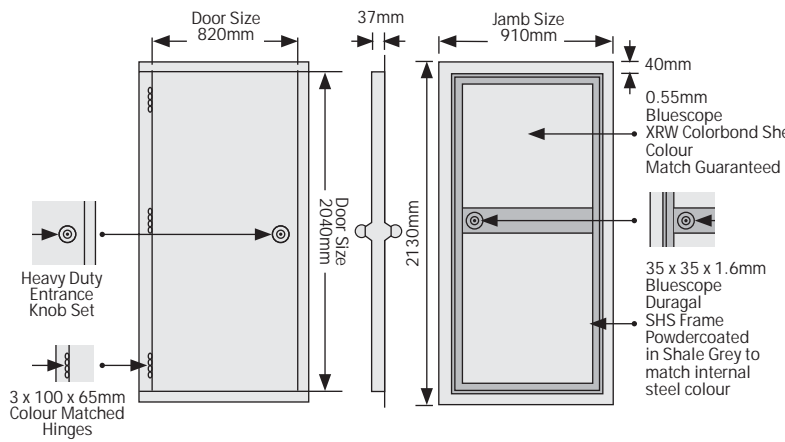




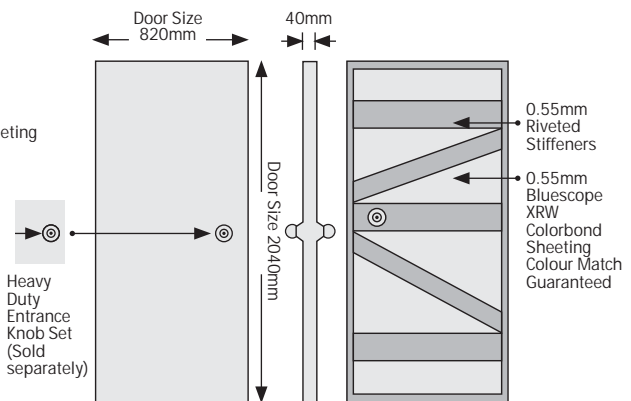
Specifications

- Taurean Door Systems standard offer is a single skin metal clad door:
2040mm high x 820mm wide x 37mm thick and
2040mm high x 920mm wide x 37mm thick
- Metal cladding is 0.55mm thick BlueScope®
XRW COLORBOND® Steel
- Outward swing is standard
- Heavy duty Knob/Knob Lockset as standard
(with Pre-Hung Door only), Lever/Knob available
upon request
- Chrome cabin hook supplied as standard
(with Pre-Hung Door only)
- Pre-Hung version comes with three, 100 x 65 x 2mm
high quality colour matched hinges

Pre-Hung Personal Access Door



Standard Personal Access Door



Taurean Door Systems is your trusted partner when it comes to garage and shed door, self storage and commercial roller shutter solutions.

P: 1800 778 658 E: customerservice@taureands.com.au W: taureands.com.au

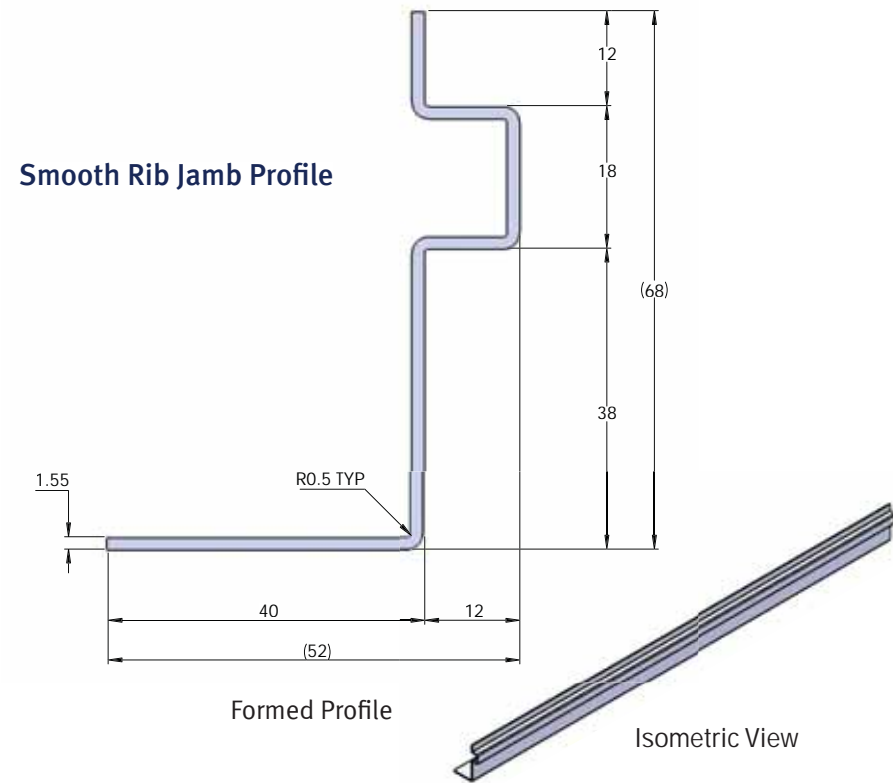
Taurean® Door Systems Personal Access Doors

STANDARD AND PRE-HUNG



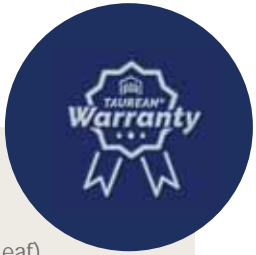
PERSONAL ACCESS DOORS

The ideal access solution to sheds, garages and self storage applications.



With a focus on design and innovation, Taurean Door Systems has created a new benchmark in personal access doors for a variety of applications. Through an extensive development process, our solutions combine strength, functionality and high performance.

Taurean® Personal Access Doors also come with certified wind ratings for the Pre-Hung design within domestic environments. And with a unique jamb design that maximises strength, you will have peace of mind that your building is secure.



Features

- Available in both Standard (Single Leaf) and Pre-Hung (Leaf, Door Jamb and Door Hardware) versions
- Stocked in BlueScope Zinalume, Standard COLORBOND® Classic & Contemporary colour range as well as COLORBOND® Matt (Monument, Basalt and Surfmist)
- Certified wind rating for Pre-Hung doors to N4/C1 (>1200mm from edge) in domestic applications
- Quality door hardware
- 180° opening
- Galvanized and powder coated square hollow section frame on the Pre-Hung version
- Unique jamb design to provide maximum strength of installation
- Other door sizes and types available upon request

Taurean Door Systems provide a 12 month warranty. Excluded from the warranty are salt corrosion, damage from any environmental conditions, accidents, fair wear and tear and failure to properly install, use or maintain the product. For more details please refer to the full warranty document at taureands.com.au