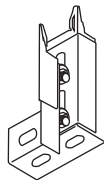
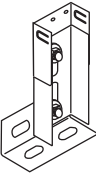
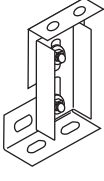
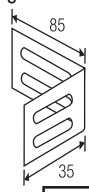
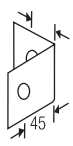







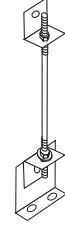
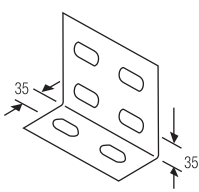
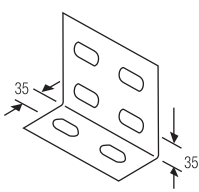
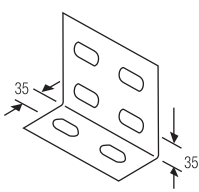
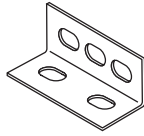
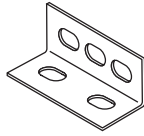
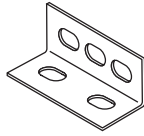
Customer \_\_\_\_\_ Project \_\_\_\_\_

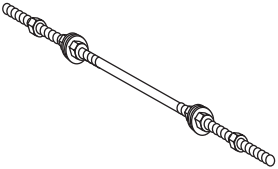
Delivery address \_\_\_\_\_

**Bridging System**  
 Rod & Strut/  
 Stramit Bridging

Del. Date	Finish	Drawn	Date
-----------	--------	-------	------

	Part No. No.	Bracket Size	Purlin Centres	No. Reqd.	Mark No.
<b>GIRT STOOL/FOOT ASSEMBLIES</b>					
Stramit - locator 					
Part No. 024					
Stramit - lock 					
Part No. 025					
Strut & Rod 					
Part No. 026					
Raking Girt Bracket 					
No. Reqd. <input style="width: 50px;" type="text"/>					
Tie Rod Angle 					
No. Reqd. <input style="width: 50px;" type="text"/>					

GIRT HANGER ASSEMBLIES																			
▼ Turnbuckle	▼ Tie Rod																		
Stramit - locator  Part No. 027	Stramit - locator  Part No. 028																		
Stramit - lock  Part No. 029	Stramit - lock  Part No. 030																		
Strut & Rod - bolted  Part No. 031	Strut & Rod - bolted  Part No. 032																		
<b>General Purpose Bracket</b> <table border="1" style="width: 100%; border-collapse: collapse;"> <thead> <tr> <th style="width: 70%;"></th> <th style="width: 15%;">Purlin Size</th> <th style="width: 15%;">No. Reqd.</th> </tr> </thead> <tbody> <tr><td></td><td></td><td></td></tr> <tr><td> </td><td></td><td></td></tr> <tr><td> </td><td></td><td></td></tr> <tr><td> </td><td></td><td></td></tr> <tr><td> </td><td></td><td></td></tr> </tbody> </table>			Purlin Size	No. Reqd.															
	Purlin Size	No. Reqd.																	
																			
<b>Angle Connector</b> <table border="1" style="width: 100%; border-collapse: collapse;"> <thead> <tr> <th style="width: 70%;"></th> <th style="width: 15%;">Purlin Size</th> <th style="width: 15%;">No. Reqd.</th> </tr> </thead> <tbody> <tr><td></td><td></td><td></td></tr> <tr><td> </td><td></td><td></td></tr> <tr><td> </td><td></td><td></td></tr> <tr><td> </td><td></td><td></td></tr> <tr><td> </td><td></td><td></td></tr> </tbody> </table>			Purlin Size	No. Reqd.															
	Purlin Size	No. Reqd.																	
																			

	Size	Length	No. Reqd.	Mark No.
<b>Tie Rod Assemblies</b> 				

	Purlin Size	No. Reqd.
<b>Clamp Plate</b> 