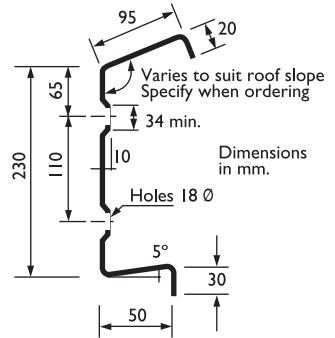
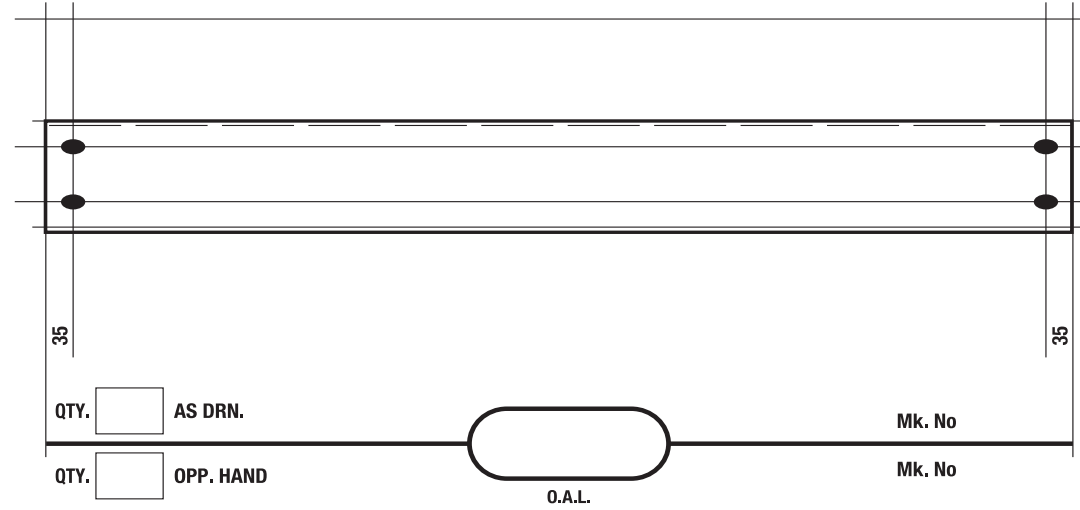
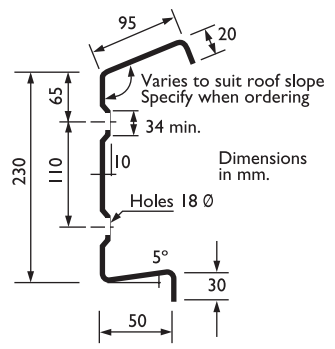
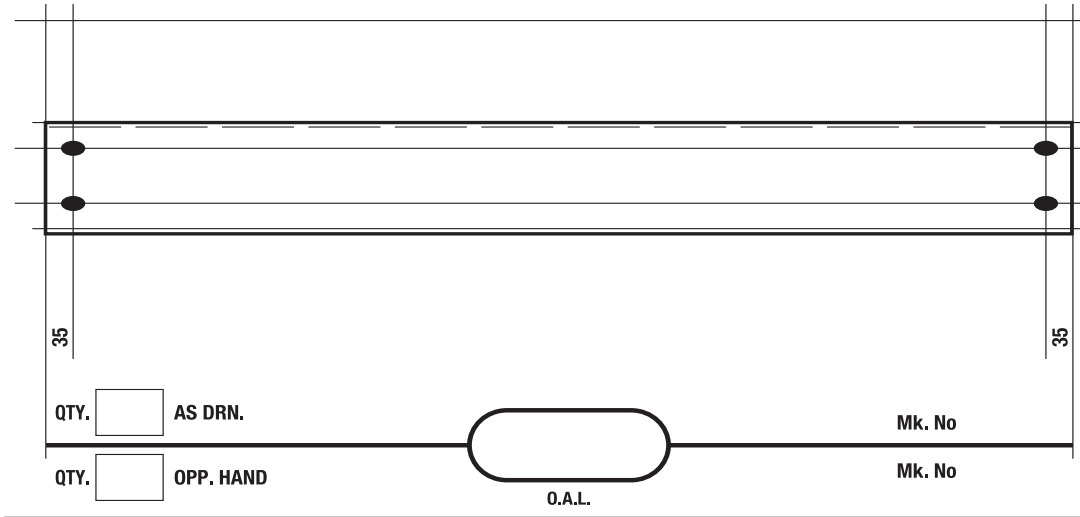


| | | |
|------------------------|---------------|------------------|
| Customer _____ | Project _____ | Roof Pitch _____ |
| Delivery Address _____ | | Pitch _____ |

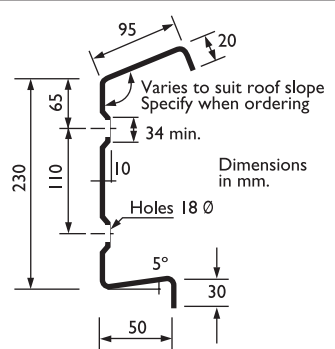
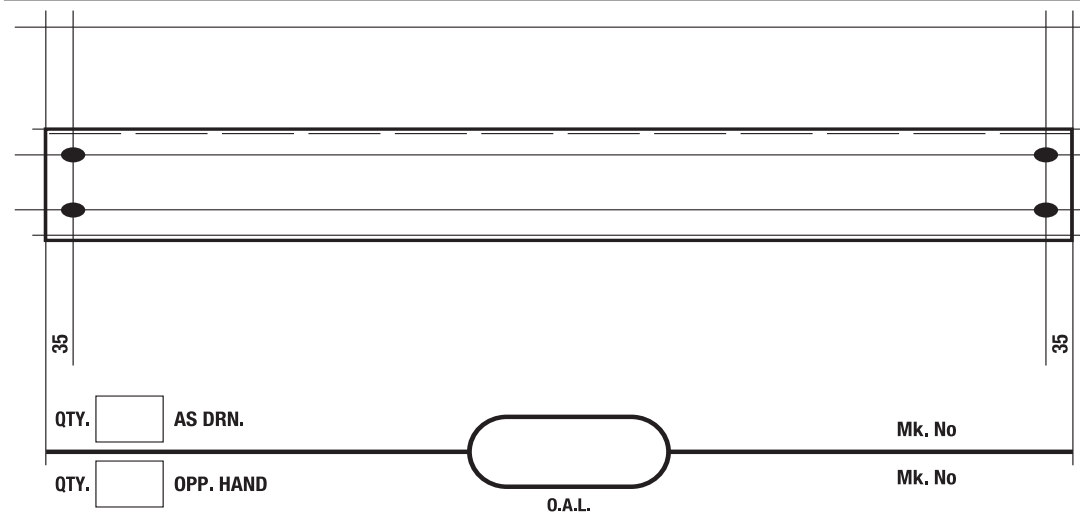
| | | | |
|---------------------|---------------|---------------------|------------|
| Delivery Date _____ | Coating _____ | Cust. Contact _____ | Date _____ |
|---------------------|---------------|---------------------|------------|



**Purlin Section
FP23019**



**Purlin Section
FP23019**



**Purlin Section
FP23019**

| | |
|---|-----------------------------------|
| Indicate web, flange holes and dimensions from hole to hole | Standard holes: 18mm x 22mm slots |
|---|-----------------------------------|

Note: Top flange up only, no negative pitch Maximum length = 12m Minimum length = 1.7m