

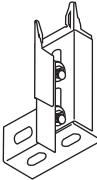
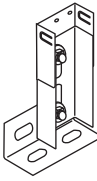
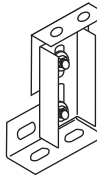
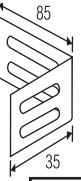
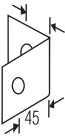
Customer \_\_\_\_\_ Project \_\_\_\_\_

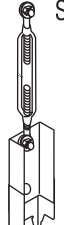
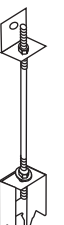
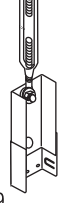



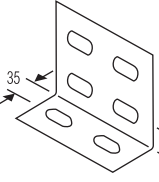
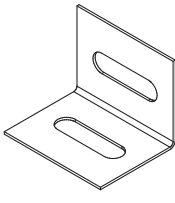
Delivery address \_\_\_\_\_

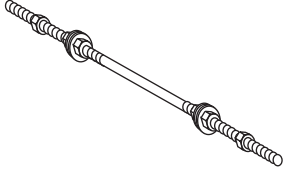
## Bridging System

Rod & Strut/  
Stramit Bridging

Del. Date	Finish	Drawn	Date
-----------	--------	-------	------

	Part No. No.	Bracket Size	Purlin Centres	No. Reqd.	Mark No.
<b>GIRT STOOL/FOOT ASSEMBLIES</b> <b>Stramit - locator</b>  Part No. 024					
<b>Stramit - lock</b>  Part No. 025					
<b>Strut &amp; Rod</b>  Part No. 026					
<b>Raking Girt Bracket</b>  No. Reqd. <input style="width: 50px;" type="text"/>					
<b>Tie Rod Angle</b>  No. Reqd. <input style="width: 50px;" type="text"/>					

GIRT HANGER ASSEMBLIES											
▼ Turnbuckle	▼ Tie Rod										
<b>Stramit - locator</b>  Part No. 027	 Part No. 028										
<b>Stramit - lock</b>  Part No. 029	 Part No. 030										
<b>Strut &amp; Rod - bolted</b>  Part No. 031	 Part No. 032										
<b>General Purpose Bracket</b>  <table border="1" style="float: right; margin-top: 10px;"> <thead> <tr> <th style="width: 50%;">Purlin Size</th> <th style="width: 50%;">No. Reqd.</th> </tr> </thead> <tbody> <tr><td> </td><td> </td></tr> <tr><td> </td><td> </td></tr> <tr><td> </td><td> </td></tr> <tr><td> </td><td> </td></tr> </tbody> </table>		Purlin Size	No. Reqd.								
Purlin Size	No. Reqd.										
<b>Angle Connector</b>  <table border="1" style="float: right; margin-top: 10px;"> <thead> <tr> <th style="width: 50%;">Purlin Size</th> <th style="width: 50%;">No. Reqd.</th> </tr> </thead> <tbody> <tr><td> </td><td> </td></tr> <tr><td> </td><td> </td></tr> <tr><td> </td><td> </td></tr> <tr><td> </td><td> </td></tr> </tbody> </table>		Purlin Size	No. Reqd.								
Purlin Size	No. Reqd.										

	Size	Length	No. Reqd.	Mark No.
<b>Tie Rod Assemblies</b> 				

Clamp Plate	
Purlin Size	No. Reqd.
